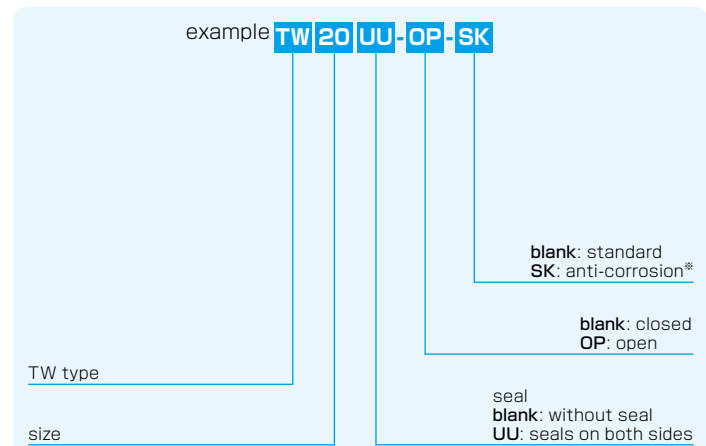


# TW TYPE

- TOPBALL Inch Type -



## part number structure



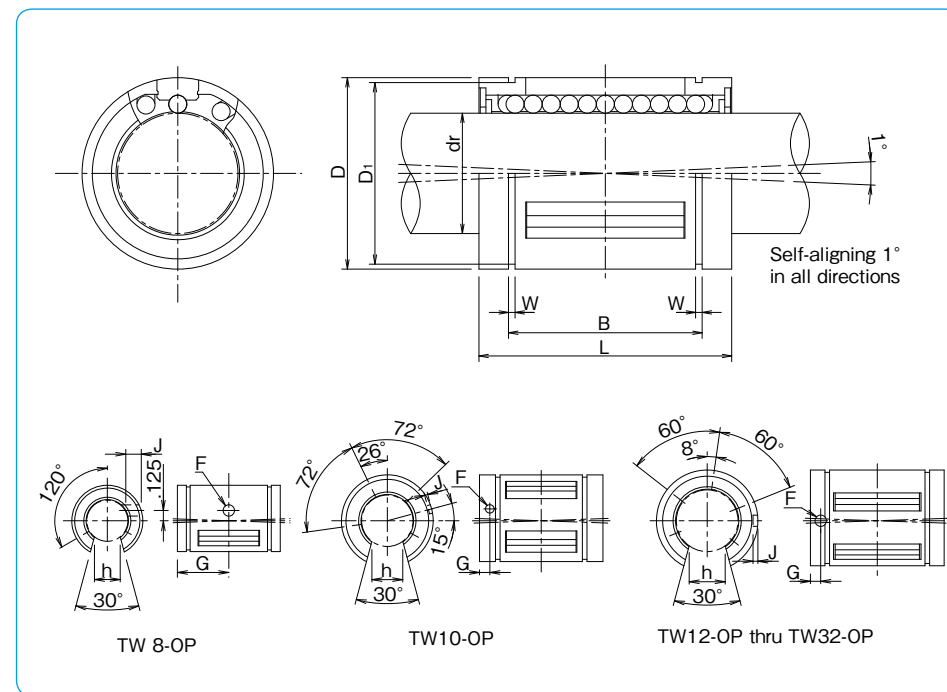
\*For anti-corrosion the load plates are electroless nickel plated with stainless steel balls.

part number		major dimensions								
closed type	number of ball circuits	mass lbs	open type		dr*	D			L	
			number of ball circuits	mass lbs		inch	tolerance inch	inch		inch
TW 3	4	.004	—	—	—	.1875	0	.3750	.562	±.008
TW 4	4	.009	—	—	—	.2500		.5000	.750	0
TW 6	4	.014	—	—	—	.3750		.6250	.875	-.015
TW 8	4	.043	TW 8-OP	3	.033	.5000		.8750	1.250	0
TW 10	5	.103	TW 10-OP	4	.083	.6250		1.1250	1.500	
TW 12	6	.123	TW 12-OP	5	.102	.7500	1.2500	1.625	-.020	
TW 16	6	.265	TW 16-OP	5	.220	1.0000	1.5625	2.250	0	
TW 20	6	.485	TW 20-OP	5	.419	1.2500	2.0000	2.625		0/- .025
TW 24	6	.750	TW 24-OP	5	.639	1.5000	2.3750	3.000		0/- .030
TW 32	6	1.411	TW 32-OP	5	1.168	2.0000	3.0000	4.000	0/- .040	

\* Based on nominal housing bore

\*\* Seals are not available on TW3.

\*\*\* One-sided seal is also available. Please contact NB for details.



B	W	D <sub>1</sub>	h	open type			basic load rating		nominal shaft diameter	
inch	inch	inch	inch	F	G	J	dynamic C	static Co	inch	
—	—	—	—	—	—	—	35	47	3/16	
.515	0	.0390	.4687	—	—	—	60	80	1/4	
.703	-.015	.0390	.5880	—	—	—	95	120	3/8	
1.032	0	.0459	.8209	.313	.136	.6250	through	230	290	1/2
1.112		.0559	1.0590	.375	.105	.1250	.0390	400	500	5/8
1.272		.0559	1.1760	.438	.136	.1250	.0590	470	590	3/4
1.886		.0679	1.4687	.563	.136	.1250	.0470	850	1,060	1
2.011		0/- .025	.0679	1.8859	.625	.201	.1875	.0900	1,230	1,530
2.422	0/- .030	.0859	2.2389	.750	.201	.1875	.0900	1,480	1,850	1-1/2
3.206	0/- .040	.1029	2.8379	1.000	.265	.3125	through	2,430	3,040	2

1inch=25.4mm  
1lbs≐0.454kg  
1lbf≐4.448N