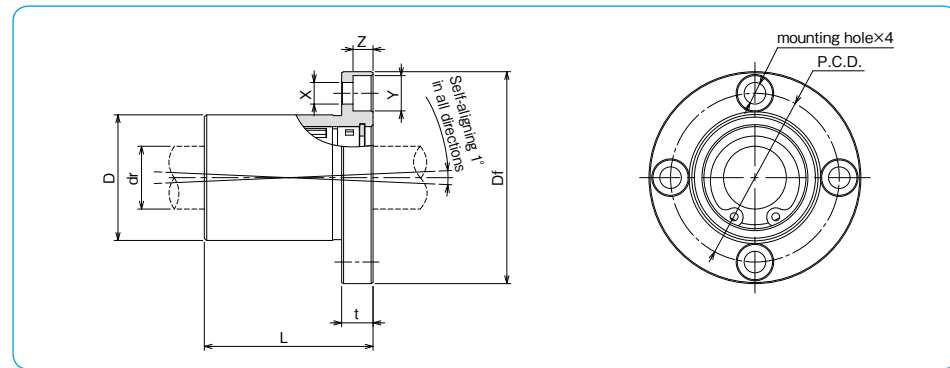
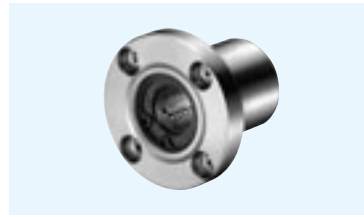


TMF TYPE

– Tolerance interchangeable with Asian Metric Slide Bush Type –

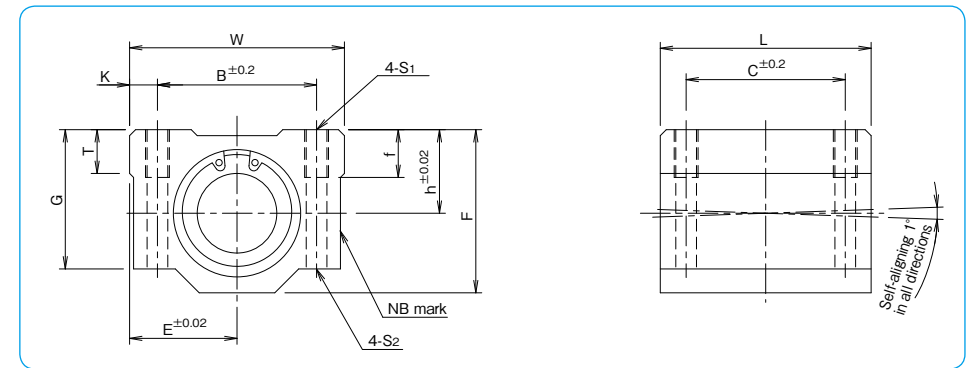
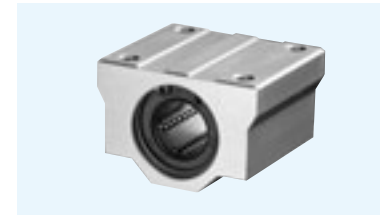


part number	number of ball circuits	dr Recommended shaft diameter - g6 mm	D tolerance μm	major dimensions					basic load rating		shaft diameter mm	
				L mm	Df mm	t mm	flange P.C.D. mm	X×Y×Z mm	C N	static Co N		
TMF16CUU	5	16	32	0 -25	43	54	8	43	5.5×9×5.1	1,250	1,550	16
TMF20CUU	6	20	40		54	62	8	51	5.5×9×5.1	2,090	2,630	20
TMF25CUU	6	25	45		67	74	10	60	6.6×11×6.1	3,780	4,720	25

1N≐0.102kgf

TMA TYPE

– Tolerance interchangeable with Asian Metric Slide Bush Type –



part number	inner contact diameter Recommended shaft diameter - g6 mm	major dimensions										mounting dimensions				basic load rating		shaft diameter mm
		h mm	E mm	W mm	L mm	F mm	G mm	T mm	B mm	C mm	K mm	S1 mm	f mm	S2 mm	C N	static Co N		
TMA20CUU	20	21	27	54	53	41	35	11	40	40	7	M6	12	5.2	2,090	2,630	20	
TMA25CUU	25	26	38	76	67	51.5	42	12	54	50	11	M8	18	7	3,780	4,720	25	

1N≐0.102kgf