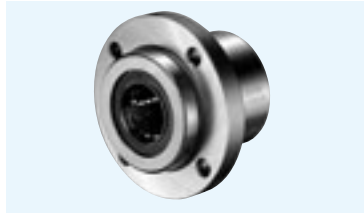


TQF-E TYPE

– Round Flange Type with Pilot End –



part number structure

example **TQF 25 G UU -E -SK**

TQF type

inner contact diameter (dr)

resin retainer

outer cylinder surface treatment
blank: no surface treatment
SK: electroless nickel plating
LF: low temperature black chrome treatment with fluoride coating
SB: black oxide
SC: industrial chrome plating

with pilot end

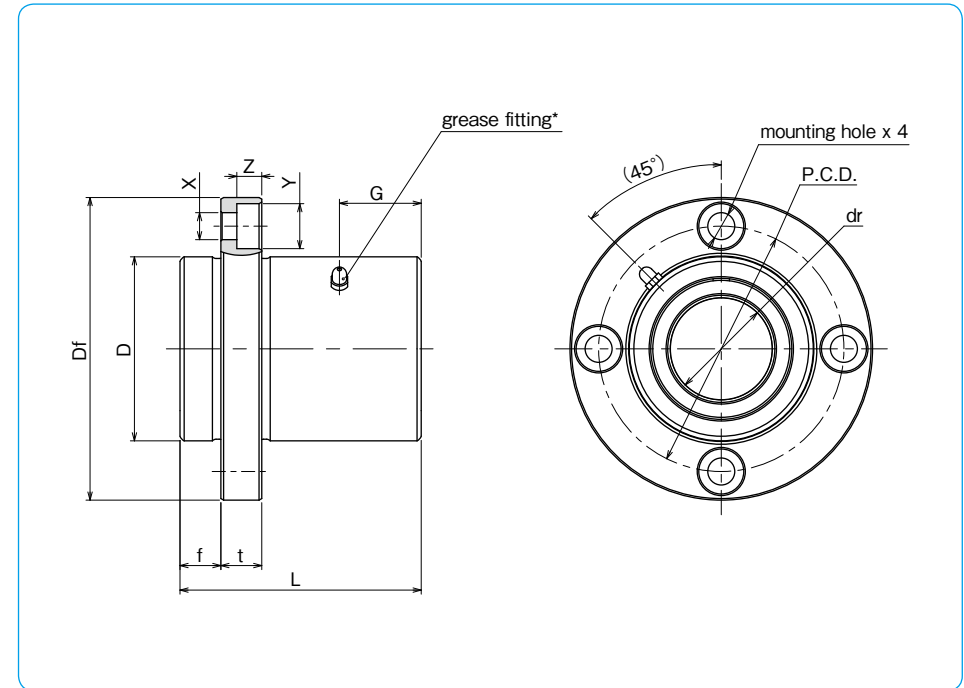
seal
UU: seals on both sides
ZZ: doublelip-seals on both sides

Doublelip-seal is available for size 6 to 30.

part number*	number of ball circuits	dr		D		major dimensions				
		mm	tolerance μm	mm	tolerance μm	L ± 0.3 mm	f mm	Df mm	t mm	flange P.C.D. mm
TQF16GUU-E	4	16	0/-9	32	0	37	8	54	8	43
TQF20GUU-E	5	20	0	40	-19	42	8	62	8	51
TQF25GUU-E	6	25	-10	45	0	59	10	74	10	60
TQF30GUU-E	6	30	0	52	-22	64	10	82	10	67
TQF35GUU-E	6	35	0	60	0	70	13	96	13	78
TQF40GUU-E	6	40	-12	65	0	80	13	101	13	83

* Seals-on-both-sides is standard.

**TQF16G~25G : M3-1 grease fitting TQF30G~40G : A-M6x1
 Surface treatment is optional.



X×Y×Z mm	grease fitting	eccentricity μm	perpendicularity μm	basic load rating		shaft diameter mm
	G mm			dynamic C N	static Co N	
5.5×9×5.1	12	12	12	774	1,180	16
5.5×9×5.1	14	15	15	882	1,370	20
6.6×11×6.1	20			980	1,570	25
6.6×11×6.1	21	20	20	1,570	2,740	30
9×14×8.1	23			1,670	3,140	35
9×14×8.1	27			2,160	4,020	40

1N \approx 0.102kgf