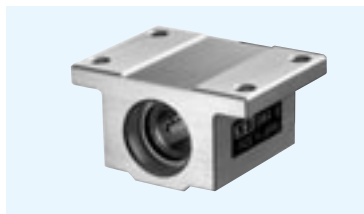


# SWA TYPE (Inch Standard)

– Block Type –



## part number structure

example **SWA 20 G R UU**

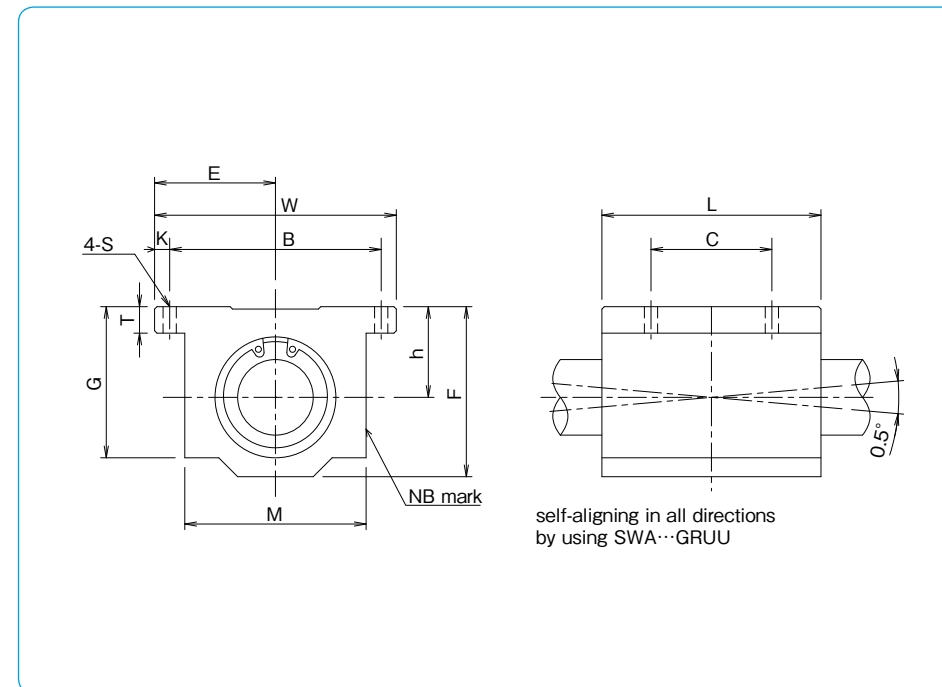
specification  
**SWA**: standard  
**SWSA**: anti-corrosion

size

retainer material  
**blank**: standard/steel  
 anti-corrosion/stainless steel  
**G**: resin

seal  
**blank**: without seal  
**UU**: seals on both sides

self-aligning  
 (SWA-resin retainer only)



part number	inner contact diameter		major dimensions				
	tolerance		outer dimensions				
	inch/(mm)	inch/(μm)	h ±.001/(±0.02) inch/(mm)	E ±.001/(±0.02) inch/(mm)	W inch/(mm)	L inch/(mm)	F inch/(mm)
<b>SWA 4GUU</b>	.2500 (6.350)	0 −.00040 (−9)	.4370 (11.100)	.8125 (20.638)	1.625 (41.28)	1.188 (30.16)	.813 (20.64)
<b>SWA 6GUU</b>	.3750 (9.525)		.5000 (12.700)	.8750 (22.225)	1.750 (44.45)	1.313 (33.34)	.938 (23.82)
<b>SWA 8GUU</b>	.5000 (12.700)		.6870 (17.450)	1.0000 (25.400)	2.000 (50.80)	1.688 (42.86)	1.250 (31.75)
<b>SWA 10GUU</b>	.6250 (15.875)	0 −.00040 (−10)	.8750 (22.225)	1.2500 (31.750)	2.500 (63.50)	1.938 (49.21)	1.625 (41.28)
<b>SWA 12GUU</b>	.7500 (19.050)		.9370 (23.800)	1.3750 (34.925)	2.750 (69.85)	2.063 (52.39)	1.750 (44.45)
<b>SWA 16GUU</b>	1.0000 (25.400)		1.1870 (30.150)	1.6250 (41.275)	3.250 (82.55)	2.813 (71.44)	2.188 (55.56)
<b>SWA 20GUU</b>	1.2500 (31.750)	0 −.00050 (−12)	1.5000 (38.100)	2.0000 (50.800)	4.000 (101.60)	3.625 (92.08)	2.813 (71.44)
<b>SWA 24GUU</b>	1.5000 (38.100)		1.7500 (44.450)	2.3750 (60.325)	4.750 (120.65)	4.000 (101.60)	3.250 (82.55)
<b>SWA 32GUU</b>	2.0000 (50.800)		2.1250 (53.975)	3.0000 (76.200)	6.000 (152.40)	5.000 (127.00)	4.063 (103.19)

Product of NB Corporation of America

T	G	M	mounting dimensions				S	basic load rating		mass
			B	C	C	Co				
			±.01/(±0.2) inch/(mm)	±.01/(±0.2) inch/(mm)	N	N				
.188 (4.76)	.750 (19.05)	1.000 (25.40)	1.312 (33.33)	.750 (19.05)	.156 (3.96)	.156 (3.96)	206	265	45	
.188 (4.76)	.875 (22.23)	1.125 (28.58)	1.437 (36.50)	.875 (22.23)	.156 (3.96)	.156 (3.96)	225	314	62	
.250 (6.35)	1.125 (28.58)	1.375 (34.93)	1.688 (42.88)	1.000 (25.40)	.156 (3.96)	.156 (3.96)	510	784	130	
.281 (7.14)	1.437 (36.50)	1.750 (44.45)	2.125 (53.98)	1.125 (28.58)	.188 (4.76)	.188 (4.76)	774	1,180	240	
.313 (7.94)	1.563 (39.69)	1.875 (47.63)	2.375 (60.33)	1.250 (31.75)	.188 (4.76)	.188 (4.76)	862	1,370	290	
.375 (9.53)	1.938 (49.21)	2.375 (60.33)	2.875 (73.03)	1.750 (44.45)	.188 (4.76)	.219 (5.56)	980	1,570	615	
.438 (11.11)	2.500 (63.50)	3.000 (76.20)	3.500 (88.90)	2.000 (50.80)	.250 (6.35)	.219 (5.56)	1,570	2,740	1,300	
.500 (12.70)	2.875 (73.03)	3.500 (88.90)	4.125 (104.78)	2.500 (63.50)	.313 (7.94)	.281 (7.14)	2,160	4,020	1,900	
.625 (15.88)	3.625 (92.08)	4.500 (114.30)	5.250 (133.35)	3.250 (82.55)	.375 (9.53)	.413 (10.50)	3,820	7,940	3,600	

SI UNIT 1N≒0.225lbf  
 1kg≒2.205lbs