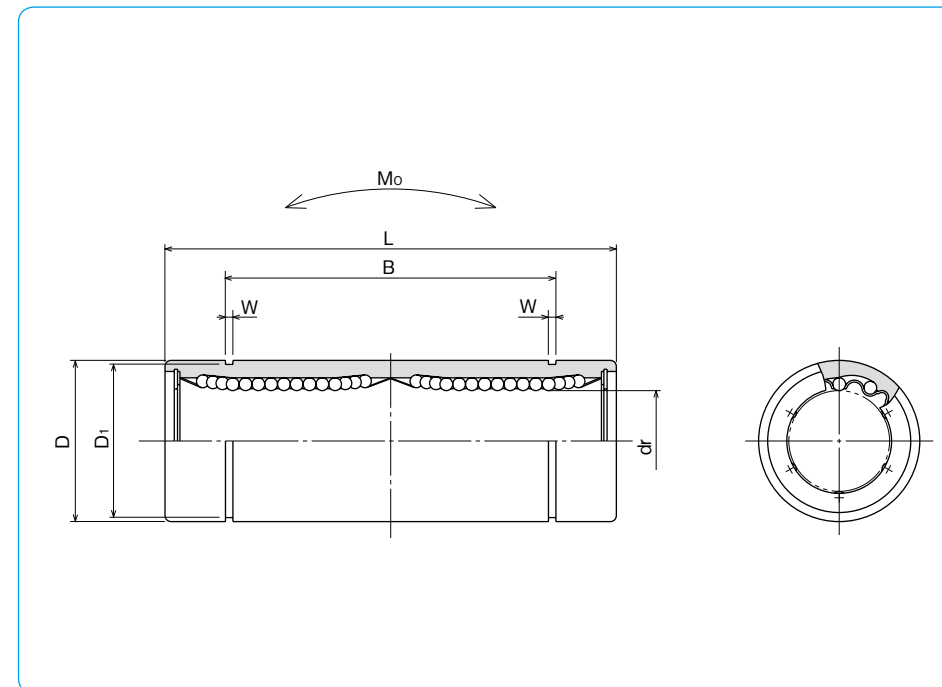
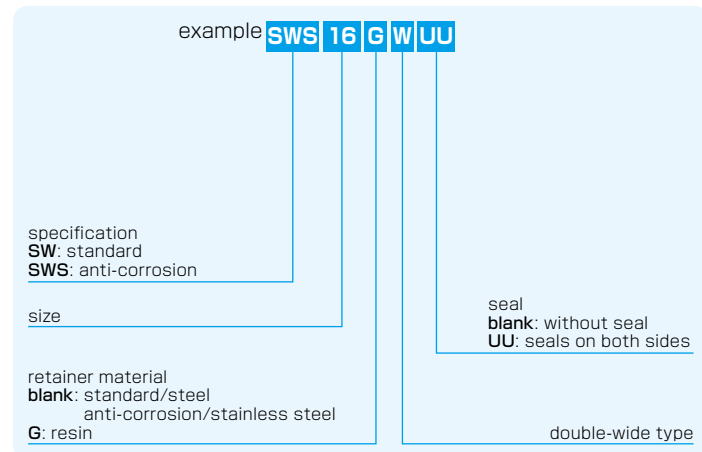


SW-W TYPE (Inch Standard)

– Double-Wide Type –



part number structure



part number		number of ball circuits	major dimensions					
standard	anti-corrosion		dr	D				
steel retainer	resin retainer	stainless retainer	resin retainer	inch (mm)	tolerance inch/(μm)	inch (mm)	tolerance inch/(μm)	
SW 4W	SW 4GW	SWS 4W	SWS 4GW	4	.2500 (6.350)		.5000 (12.700)	⁰ _{-.00050 (-13)}
SW 6W	SW 6GW	SWS 6W	SWS 6GW	4	.3750 (9.525)	⁰ _{-.00040 (-10)}	.6250 (15.875)	⁰ _{-.00065 (-16)}
SW 8W	SW 8GW	SWS 8W	SWS 8GW	4	.5000 (12.700)		.8750 (22.225)	⁰ _{-.00075 (-19)}
SW 10W	SW 10GW	SWS 10W	SWS 10GW	4	.6250 (15.875)		1.1250 (28.575)	⁰ _{-.00090 (-23)}
SW 12W	SW 12GW	SWS 12W	SWS 12GW	5	.7500 (19.050)	⁰ _{-.00050 (-12)}	1.2500 (31.750)	⁰ _{-.00075 (-19)}
SW 16W	SW 16GW	SWS 16W	SWS 16GW	6	1.0000 (25.400)		1.5625 (39.688)	⁰ _{-.00090 (-23)}
SW 20W	SW 20GW	SWS 20W	SWS 20GW	6	1.2500 (31.750)	⁰ _{-.00060 (-15)}	2.0000 (50.800)	⁰ _{-.00100 (-25)}
SW 24W	SW 24GW	SWS 24W	SWS 24GW	6	1.5000 (38.100)		2.3750 (60.325)	⁰ _{-.00100 (-25)}
SW 32W	SW 32GW	SWS 32W	SWS 32GW	6	2.0000 (50.800)		3.0000 (76.200)	⁰ _{-.00100 (-25)}

L		B		W	D ₁	eccentricity	basic load rating		allowable static moment	mass	shaft diameter
inch (mm)	tolerance inch/(mm)	inch (mm)	tolerance inch/(mm)	inch (mm)	inch (mm)		dynamic C N	static Co N			
1.3750 (34.925)		1.0220 (25.959)		.0390 (0.992)	.4687 (11.906)	.0006 (15)	323	530	2.0	17.5	1/4 (6.350)
1.5938 (40.481)		1.2716 (32.298)		.0390 (0.992)	.5880 (14.935)		353	630	2.7	28	3/8 (9.525)
2.3750 (60.325)	⁰ _{-.012 (-0.3)}	1.9250 (48.895)	⁰ _{-.012 (-0.3)}	.0459 (1.168)	.8209 (20.853)	.0008 (20)	813	1,570	11.5	80	1/2 (12.700)
2.8125 (71.438)		2.2079 (56.080)		.0559 (1.422)	1.0590 (26.899)		1,230	2,350	20.0	160	5/8 (15.875)
3.0937 (78.581)		2.3314 (59.218)		.0559 (1.422)	1.1760 (29.870)	.0010 (25)	1,370	2,740	26.5	195	3/4 (19.050)
4.2813 (108.744)		3.5094 (89.139)		.0679 (1.727)	1.4687 (37.306)		1,570	3,140	41.2	410	1 (25.400)
5.0000 (127.000)	⁰ _{-.016 (-0.4)}	4.0094 (101.839)	⁰ _{-.016 (-0.4)}	.0679 (1.727)	1.8859 (47.904)	.0012 (30)	2,500	5,490	84.8	820	1-1/4 (31.750)
5.6875 (144.463)		4.8236 (122.519)		.0859 (2.184)	2.2389 (56.870)		3,430	8,040	143	1,250	1-1/2 (38.100)
7.7500 (196.850)		6.3834 (162.138)		.1029 (2.616)	2.8379 (72.085)		6,080	15,900	399	2,350	2 (50.800)

1N≒0.225lbf 1N·m≒0.738lb·ft
 1kg≒2.205lbs