

# SMT TYPE

– Two Side Cut Flange Type –



## part number structure

example **SMST 25 G UU -SK**

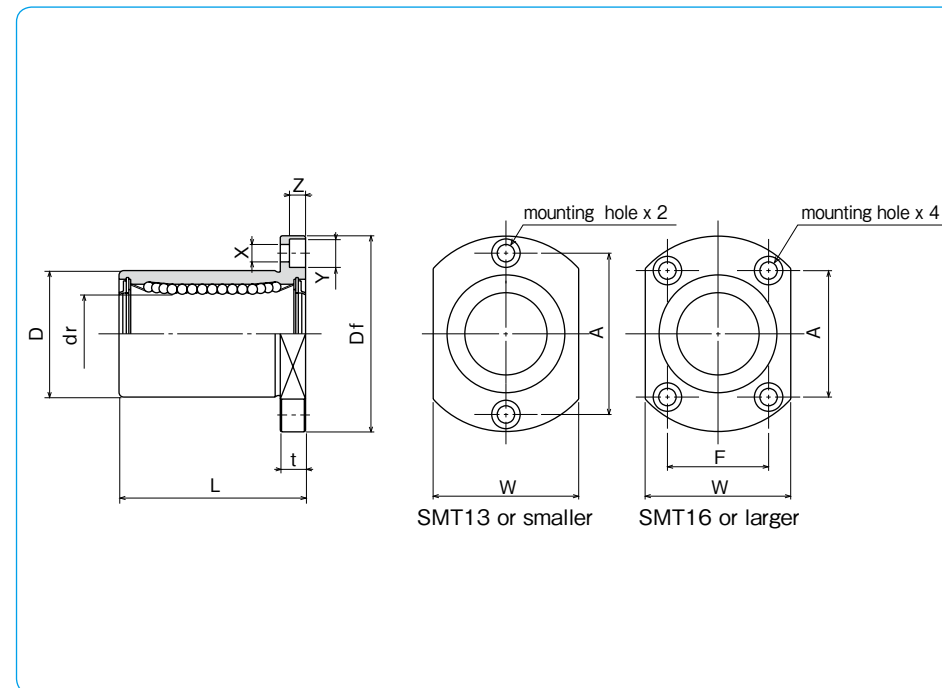
specification  
**SMT**: standard  
**SMST**: anti-corrosion

inner contact diameter (dr)

retainer material  
**blank**: standard/steel  
 anti-corrosion/stainless steel  
**G**: resin

outer cylinder surface treatment  
**blank**: no surface treatment  
**SK**: electroless nickel plating  
**LF**: low temperature black chrome treatment with fluoride coating  
**SB**: black oxide (not available on anti-corrosion type)  
**SC**: industrial chrome plating

seal  
**UU**: seals on both sides  
**ZZ**: doublelip-seals on both sides



part number*				number of ball circuits	major dimensions			
standard		anti-corrosion			dr	D	L	
steel retainer	resin retainer	stainless retainer	resin retainer	mm	tolerance $\mu\text{m}$	mm	tolerance $\mu\text{m}$	$\pm 0.3$ mm
<b>SMT 6UU</b>	<b>SMT 6GUU</b>	<b>SMST 6UU</b>	<b>SMST 6GUU</b>	4	6	12	0	19
<b>SMT 8UU</b>	<b>SMT 8GUU</b>	<b>SMST 8UU</b>	<b>SMST 8GUU</b>	4	8	15	-13	24
<b>SMT 10UU</b>	<b>SMT 10GUU</b>	<b>SMST 10UU</b>	<b>SMST 10GUU</b>	4	10	19	0	29
<b>SMT 12UU</b>	<b>SMT 12GUU</b>	<b>SMST 12UU</b>	<b>SMST 12GUU</b>	4	12	21	0	30
<b>SMT 13UU</b>	<b>SMT 13GUU</b>	<b>SMST 13UU</b>	<b>SMST 13GUU</b>	4	13	23	-16	32
<b>SMT 16UU</b>	<b>SMT 16GUU</b>	<b>SMST 16UU</b>	<b>SMST 16GUU</b>	4	16	28	0	37
<b>SMT 20UU</b>	<b>SMT 20GUU</b>	<b>SMST 20UU</b>	<b>SMST 20GUU</b>	5	20	32	0	42
<b>SMT 25UU</b>	<b>SMT 25GUU</b>	<b>SMST 25UU</b>	<b>SMST 25GUU</b>	6	25	40	-19	59
<b>SMT 30UU</b>	<b>SMT 30GUU</b>	<b>SMST 30UU</b>	<b>SMST 30GUU</b>	6	30	45	0	64

\* Seals-on-both-sides is standard.

Df mm	W mm	t mm	flange			eccentricity $\mu\text{m}$	perpendicularity $\mu\text{m}$	basic load rating		mass g	shaft diameter mm
			A mm	F mm	X×Y×Z mm			dynamic C N	static Co N		
28	18	5	20	—	3.5×6×3.1	12	12	206	265	21	6
32	21	5	24	—	3.5×6×3.1			274	392	33	8
40	25	6	29	—	4.5×7.5×4.1			372	549	64	10
42	27	6	32	—	4.5×7.5×4.1			510	784	68	12
43	29	6	33	—	4.5×7.5×4.1			510	784	81	13
48	34	6	31	22	4.5×7.5×4.1	774	1,180	112	16		
54	38	8	36	24	5.5×9×5.1	15	15	882	1,370	167	20
62	46	8	40	32	5.5×9×5.1			980	1,570	325	25
74	51	10	49	35	6.6×11×6.1			1,570	2,740	388	30

1N≐0.102kgf