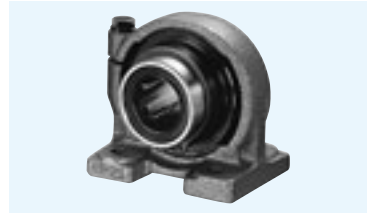


# SMP TYPE

– Pillow Block Type –



## part number structure

example **SMP 25 G UU**

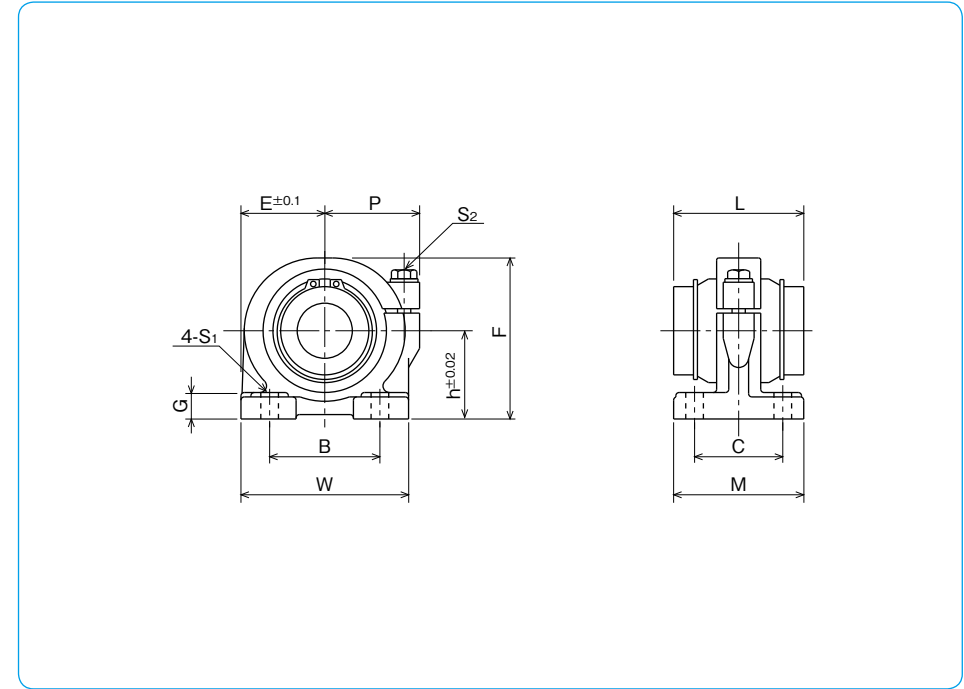
SMP type

inner contact diameter

seal  
blank: without seal  
UU: seals on both sides

retainer material  
blank: steel  
G: resin

part number	inner contact diameter		outer dimensions							major dimensions	
	mm	tolerance	h mm	E mm	W mm	L mm	F mm	G mm	M mm		
		$\mu\text{m}$									
<b>SMP13GUU</b>	13	0	25	25	50	32	46	8	36		
<b>SMP16GUU</b>	16	- 9	29	27.5	55	37	53	10	40		
<b>SMP20GUU</b>	20	0	34	32.5	65	42	62	12	48		
<b>SMP25GUU</b>	25		40	38	76	59	73	12	59		
<b>SMP30GUU</b>	30	-10	45	42.5	85	64	84	15	69		
<b>SMP35GUU</b>	35		50	49	98	70	94	15	76		
<b>SMP40GUU</b>	40	0	60	62	124	80	112	18	86		
<b>SMP50GUU</b>	50	-12	70	72	144	100	134	20	105		
<b>SMP60GUU</b>	60		0/-15	82	84.5	169	110	154	23	115	



P mm	mounting dimensions			adjustment screw size S <sub>2</sub>	basic load rating		* mass g	shaft diameter mm
	B mm	C mm	S <sub>1</sub> mm		dynamic C N	static C <sub>0</sub> N		
30	30	26	7 (M5)	M5	510	784	270	13
32	35	29	7 (M5)	M5	774	1,180	380	16
37	40	35	8 (M6)	M6	882	1,370	680	20
43	50	40	8 (M6)	M6	980	1,570	1,000	25
49	58	46	10 (M8)	M8	1,570	2,740	1,400	30
58	62	53	12 (M10)	M10	1,670	3,140	2,100	35
68	76	64	12 (M10)	M10	2,160	4,020	3,700	40
80	100	70	14 (M12)	M12	3,820	7,940	6,100	50
88	115	80	14 (M12)	M12	4,700	10,000	8,700	60

\* Mass of resin retainer type

1N≐0.102kgf