

# SMFC TYPE

– Center Mount Round Flange Type –



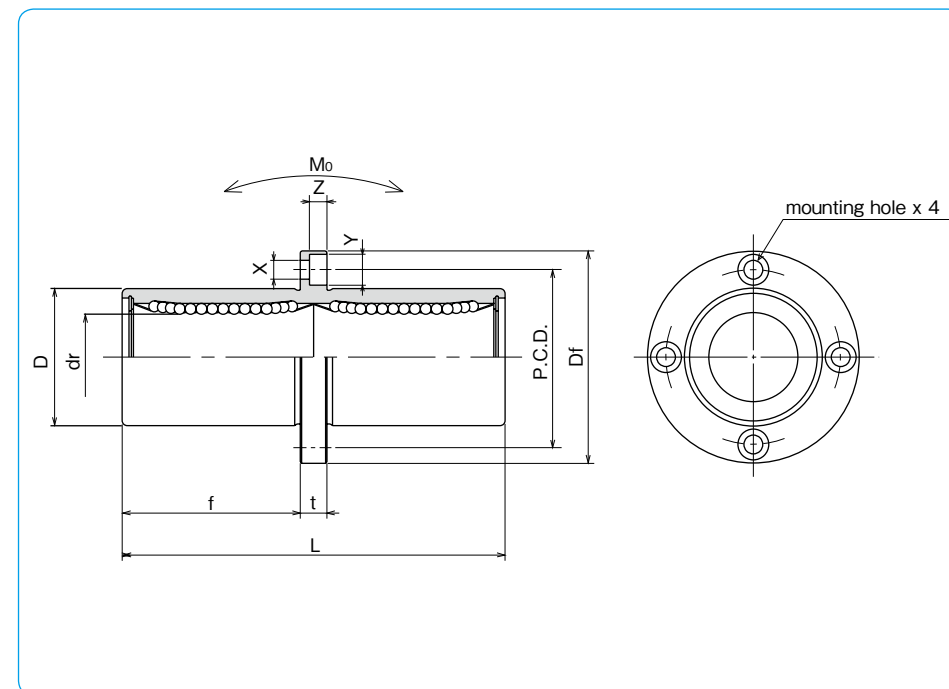
## part number structure

example **SMSFC 25 G UU -SK**

specification <b>SMFC</b> : standard <b>SMSFC</b> : anti-corrosion	outer cylinder surface treatment <b>blank</b> : no surface treatment <b>SK</b> : electroless nickel plating <b>LF</b> : low temperature black chrome treatment with fluoride coating <b>SB</b> : black oxide (not available on anti-corrosion type) <b>SC</b> : industrial chrome plating
inner contact diameter (dr)	seal <b>blank</b> : without seal <b>UU</b> : seals on both sides <b>ZZ</b> : doublelip-seals on both sides
retainer material <b>blank</b> : standard/steel anti-corrosion/stainless steel <b>G</b> : resin	

Doublelip-seal is available for size 6 to 30.

part number				number of ball circuits	dr		major dimensions		
standard steel retainer	anti-corrosion resin retainer	stainless steel retainer	resin retainer		mm	tolerance $\mu\text{m}$	D mm	tolerance $\mu\text{m}$	L $\pm 0.3$ mm
SMFC 6	SMFC 6G	SMSFC 6	SMSFC 6G	4	6	0	12	0	35
SMFC 8	SMFC 8G	SMSFC 8	SMSFC 8G	4	8	0	15	-13	45
SMFC10	SMFC10G	SMSFC10	SMSFC10G	4	10	0	19	0	55
SMFC12	SMFC12G	SMSFC12	SMSFC12G	4	12	-10	21	0	57
SMFC13	SMFC13G	SMSFC13	SMSFC13G	4	13	0	23	-16	61
SMFC16	SMFC16G	SMSFC16	SMSFC16G	4	16	0	28	0	70
SMFC20	SMFC20G	SMSFC20	SMSFC20G	5	20	0	32	0	80
SMFC25	SMFC25G	SMSFC25	SMSFC25G	6	25	-12	40	-19	112
SMFC30	SMFC30G	SMSFC30	SMSFC30G	6	30	0	45	0	123
SMFC35	SMFC35G	SMSFC35	SMSFC35G	6	35	0	52	0	135
SMFC40	SMFC40G	SMSFC40	SMSFC40G	6	40	-15	60	-22	151
SMFC50	SMFC50G	SMSFC50	SMSFC50G	6	50	0	80	0	192
SMFC60	SMFC60G	SMSFC60	SMSFC60G	6	60	0/-20	90	0/-25	209



flange					eccentricity $\mu\text{m}$	perpendicularity $\mu\text{m}$	basic load rating		allowable static moment $\text{N}\cdot\text{m}$	mass g	shaft diameter mm
f mm	Df mm	t mm	P.C.D. mm	X×Y×Z mm			dynamic C N	static Co N			
15	28	5	20	3.5×6×3.1	15	15	323	530	2.18	31	6
20	32	5	24	3.5×6×3.1			431	784	4.31	51	8
24.5	40	6	29	4.5×7.5×4.1			588	1,100	7.24	98	10
25.5	42	6	32	4.5×7.5×4.1			813	1,570	10.9	110	12
27.5	43	6	33	4.5×7.5×4.1			813	1,570	11.6	130	13
32	48	6	38	4.5×7.5×4.1			1,230	2,350	19.7	190	16
36	54	8	43	5.5×9×5.1	20	20	1,400	2,740	26.8	260	20
52	62	8	51	5.5×9×5.1			1,560	3,140	43.4	540	25
56.5	74	10	60	6.6×11×6.1			2,490	5,490	82.8	680	30
62.5	82	10	67	6.6×11×6.1	25	25	2,650	6,270	110	1,020	35
69	96	13	78	9×14×8.1			3,430	8,040	147	1,570	40
89.5	116	13	98	9×14×8.1			6,080	15,900	397	3,600	50
95.5	134	18	112	11×17×11.1			7,550	20,000	530	4,500	60

1N  $\approx$  0.102kgf 1N  $\cdot$  m  $\approx$  0.102kgf  $\cdot$  m