

# SMA TYPE

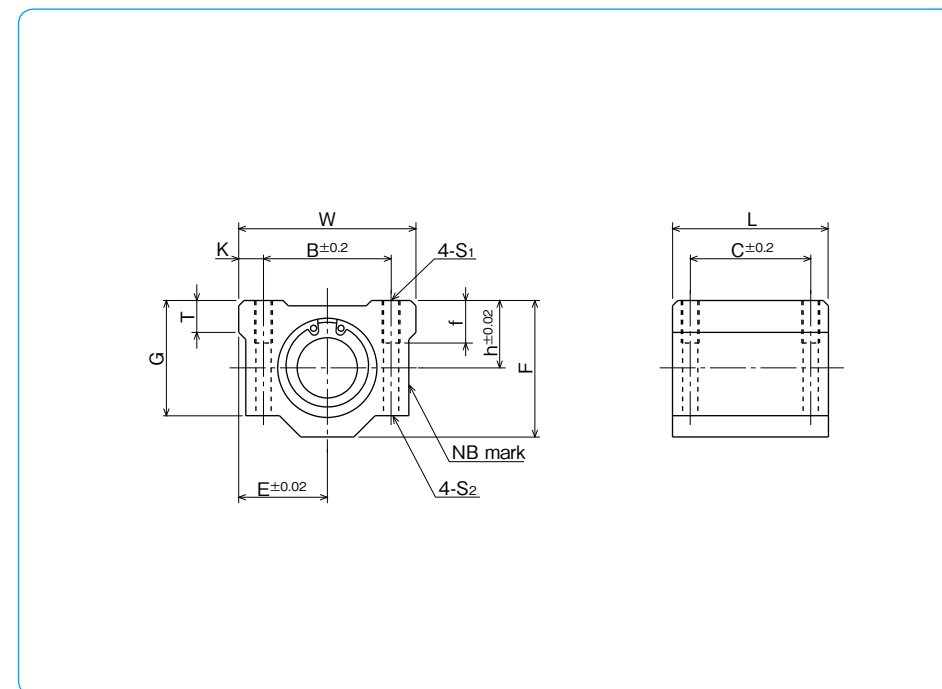
– Block Type –



## part number structure

example **SMSA 25 G UU**

specification SMA: standard SMSA: anti-corrosion	inner contact diameter	retainer material blank: standard/steel anti-corrosion/stainless steel G: resin	seal blank: without seal UU: seals on both sides
--	------------------------	--	--



part number	inner contact diameter		major dimensions						
	mm	tolerance μm	outer dimensions						
			h mm	E mm	W mm	L mm	F mm	G mm	T mm
SMA 3GUU	3		5	8	16	13	10	8	—
SMA 4GUU	4	0	5.5	8.5	17	15	11	9	—
SMA 5GUU	5	- 8	7	11	22	18	14	11	—
SMA 6GUU	6		9	15	30	25	18	15	6
SMA 8GUU	8		11	17	34	30	22	18	6
SMA 10GUU	10	0	13	20	40	35	26	21	8
SMA 12GUU	12	- 9	15	21	42	36	28	24	8
SMA 13GUU	13		15	22	44	39	30	24.5	8
SMA 16GUU	16		19	25	50	44	38.5	32.5	9
SMA 20GUU	20	0	21	27	54	50	41	35	11
SMA 25GUU	25	-10	26	38	76	67	51.5	42	12
SMA 30GUU	30		30	39	78	72	59.5	49	15
SMA 35GUU	35	0	34	45	90	80	68	54	18
SMA 40GUU	40	-12	40	51	102	90	78	62	20
SMA 50GUU	50		52	61	122	110	102	80	25
SMA 60GUU	60	0/-15	58	66	132	122	114	94	30

mounting dimensions						basic load rating		* mass g	shaft diameter mm
B mm	C mm	K mm	S <sub>1</sub>	f mm	S <sub>2</sub> mm	dynamic C N	static Co N		
11	8	2.5	M2	—	—	69	105	5	3
12	10	2.5	M3	—	—	88	127	7	4
16	12	3	M3	—	—	167	206	14	5
20	15	5	M4	8	3.4	206	265	34	6
24	18	5	M4	8	3.4	274	392	52	8
28	21	6	M5	12	4.3	372	549	92	10
30.5	26	5.75	M5	12	4.3	510	784	102	12
33	26	5.5	M5	12	4.3	510	784	120	13
36	34	7	M5	12	4.3	774	1,180	200	16
40	40	7	M6	12	5.2	882	1,370	255	20
54	50	11	M8	18	7	980	1,570	600	25
58	58	10	M8	18	7	1,570	2,740	735	30
70	60	10	M8	18	7	1,670	3,140	1,100	35
80	60	11	M10	25	8.7	2,160	4,020	1,590	40
100	80	11	M10	25	8.7	3,820	7,940	3,340	50
108	90	12	M12	25	10.7	4,700	10,000	4,270	60

\* Mass of resin retainer type

1N≒0.102kgf