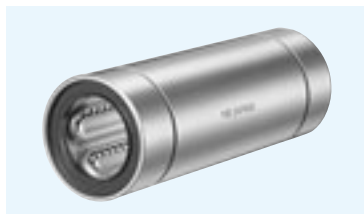


# KB-W TYPE (Euro Standard)

– Double-Wide Type –



## part number structure

example **KBS 25 G W UU**

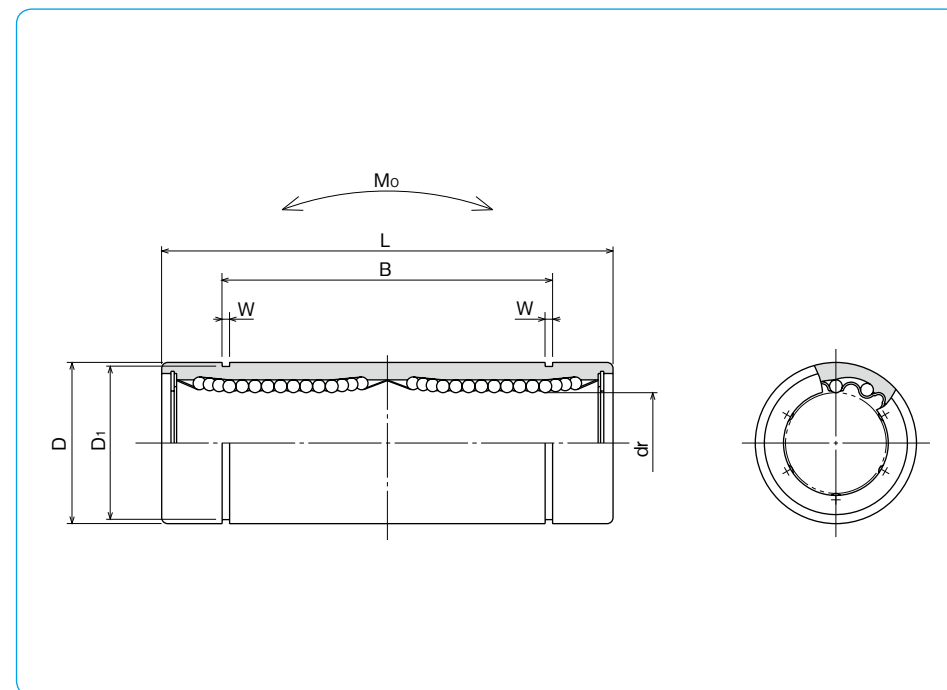
specification  
**KB:** standard  
**KBS:** anti-corrosion

inner contact diameter (dr)

retainer material  
**blank:** standard/steel  
 anti-corrosion/stainless steel  
**G:** resin

seal  
**blank:** without seal  
**UU:** seals on both sides

double-wide type



part number				number of ball circuits	dr		major dimensions	
standard steel retainer	resin retainer	anti-corrosion stainless retainer	anti-corrosion resin retainer		mm	tolerance $\mu\text{m}$	D mm	tolerance $\mu\text{m}$
<b>KB 8W</b>	<b>KB 8GW</b>	<b>KBS 8W</b>	<b>KBS 8GW</b>	4	8	+ 9	16	0/-9
<b>KB 12W</b>	<b>KB 12GW</b>	<b>KBS 12W</b>	<b>KBS 12GW</b>	4	12	- 1	22	0
<b>KB 16W</b>	<b>KB 16GW</b>	<b>KBS 16W</b>	<b>KBS 16GW</b>	4	16	+ 11	26	-11
<b>KB20W</b>	<b>KB20GW</b>	<b>KBS20W</b>	<b>KBS20GW</b>	5	20	- 1	32	0
<b>KB25W</b>	<b>KB25GW</b>	<b>KBS25W</b>	<b>KBS25GW</b>	6	25	+ 13	40	-13
<b>KB30W</b>	<b>KB30GW</b>	<b>KBS30W</b>	<b>KBS30GW</b>	6	30	- 2	47	0
<b>KB40W</b>	<b>KB40GW</b>	<b>KBS40W</b>	<b>KBS40GW</b>	6	40	+ 16	62	0
<b>KB50W</b>	<b>KB50GW</b>	<b>KBS50W</b>	<b>KBS50GW</b>	6	50	- 4	75	-15
<b>KB60W</b>	<b>KB60GW</b>	<b>KBS60W</b>	<b>KBS60GW</b>	6	60		90	0/-20

mm	L tolerance mm	B tolerance mm		W mm	D <sub>1</sub> mm	eccentricity $\mu\text{m}$	basic load rating		allowable static moment Mo N · m	mass g	shaft diameter mm
		mm	mm				dynamic C N	static Co N			
46		33		1.1	15.2	15	421	804	4.3	40	8
61	0	45.8	0	1.3	21		813	1,570	11.7	80	12
68	-0.3	49.8	-0.3	1.3	24.9		921	1,780	14.2	115	16
80		61		1.6	30.5	17	1,370	2,740	25.0	180	20
112		82		1.85	38		1,570	3,140	44.0	430	25
123		104.2		1.85	44.5		2,500	5,490	78.9	615	30
151	0	121.2	0	2.15	59	20	3,430	8,040	147	1,400	40
192	-0.4	155.2	-0.4	2.65	72		6,080	15,900	396	2,320	50
209		170		3.15	86.5		7,550	20,000	487	3,920	60

1N = 0.102kgf 1N · m = 0.102kgf · m