

KB-AJ TYPE (Euro Standard)

– Clearance Adjustable Type –



part number structure

example **KBS 25 G UU -AJ**

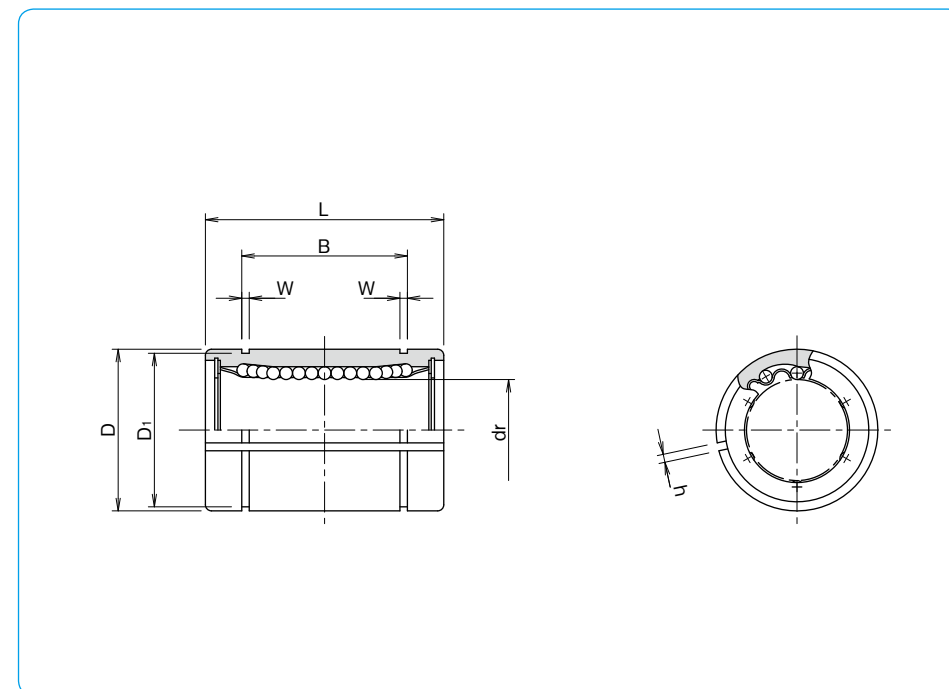
specification
KB: standard
KBS: anti-corrosion

inner contact diameter (dr)

retainer material
blank: standard/steel
U: anti-corrosion/stainless steel
G: resin

clearance-adjustable

seal
blank: without seal
U: seal on one side
UU: seals on both sides



part number		number of ball circuits	major dimensions				
standard	anti-corrosion		dr	D			
steel retainer	resin retainer	stainless retainer	resin retainer	mm	tolerance* μm	mm	tolerance* μm
—	KB 5G-AJ	—	KBS 5G-AJ	4	5	12	0
—	KB 8G-AJ	—	KBS 8G-AJ	4	8	16	- 8
—	KB10G-AJ	—	KBS10G-AJ	4	10	19	0
KB12-AJ	KB12G-AJ	KBS12-AJ	KBS12G-AJ	4	12	22	- 9
KB16-AJ	KB16G-AJ	KBS16-AJ	KBS16G-AJ	4	16	26	0
KB20-AJ	KB20G-AJ	KBS20-AJ	KBS20G-AJ	5	20	32	- 11
KB25-AJ	KB25G-AJ	KBS25-AJ	KBS25G-AJ	6	25	40	0
KB30-AJ	KB30G-AJ	KBS30-AJ	KBS30G-AJ	6	30	47	- 13
KB40-AJ	KB40G-AJ	KBS40-AJ	KBS40G-AJ	6	40	62	0
KB50-AJ	KB50G-AJ	KBS50-AJ	KBS50G-AJ	6	50	75	- 13
KB60-AJ	KB60G-AJ	KBS60-AJ	KBS60G-AJ	6	60	90	0
KB80-AJ	—	—	—	6	80	120	- 15

* Accuracy is measured prior to machining clearance slit.

mm	L tolerance mm	B		W mm	D ₁ mm	h mm	eccentricity* μm	basic load rating		mass g	shaft diameter mm
		mm	tolerance mm					dynamic C N	static Co N		
22	0 -0.2	14.5	0 -0.2	1.1	11.5	1	12	206	265	10	5
25		16.5		1.1	15.2	1		265	402	19.5	8
29		22		1.3	18	1		372	549	29	10
32		22.9		1.3	21	1.5		510	784	44	12
36		24.9		1.3	24.9	1.5		578	892	59	16
45	0 -0.3	31.5	0 -0.3	1.6	30.3	2	15	862	1,370	100	20
58		44.1		1.85	37.5	2		980	1,570	230	25
68		52.1		1.85	44.5	2		1,570	2,740	355	30
80		60.6		2.15	59	3		2,160	4,020	758	40
100		77.6		2.65	72	3		3,820	7,940	1,230	50
125	0 -0.4	101.7	0 -0.4	3.15	86.5	3	20	4,700	9,800	2,170	60
165		133.7		4.15	116	3		7,350	16,000	5,000	80

1N≒0.102kgf