

# GW TYPE (Inch Standard)

– Single Type –



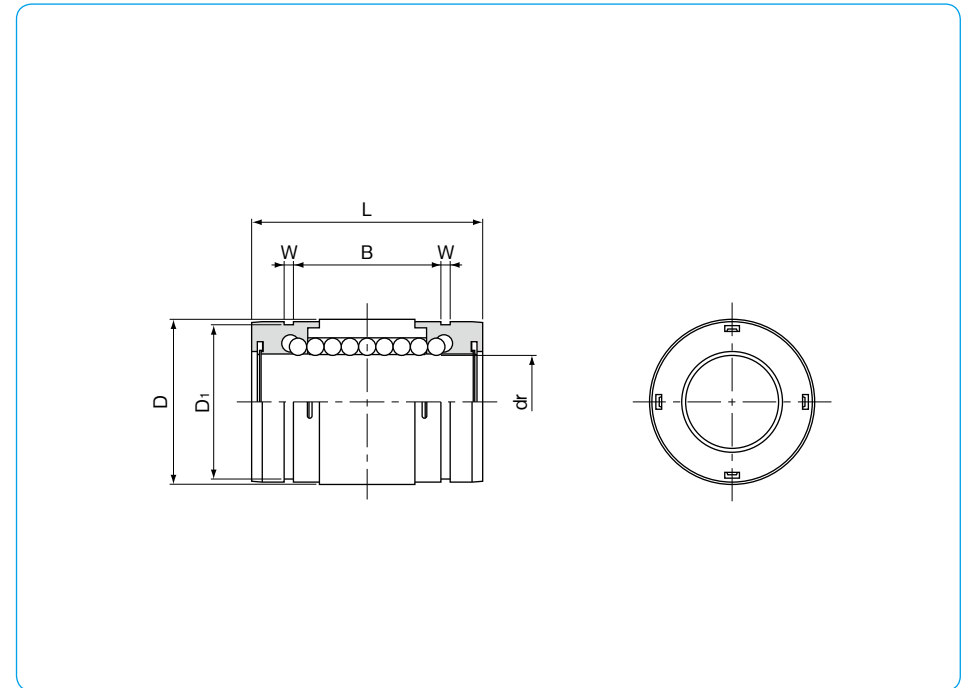
## part number structure

example **GW 16 UU**

GW type

size

seal  
**blank**: without seal  
**UU**: seals on both sides



part number	number of ball circuits	major dimensions				
		dr		D		L
		inch/(mm)	tolerance inch/( $\mu$ m)	inch/(mm)	tolerance inch/( $\mu$ m)	inch/(mm)
<b>GW 4</b>	4	.2500 (6.350)	0 -0.00040 (-10)	.5000 (12.700)	0 -0.00045 (-11)	.7500 (19.050)
<b>GW 6</b>	4	.3750 (9.525)		.6250 (15.875)	0 -0.00050 (-13)	.8750 (22.225)
<b>GW 8</b>	4	.5000 (12.700)		.8750 (22.225)		1.2500 (31.750)
<b>GW10</b>	4	.6250 (15.875)		1.1250 (28.575)	1.5000 (38.100)	
<b>GW12</b>	6	.7500 (19.050)		1.2500 (31.750)	0 -0.00065 (-16)	1.6250 (41.275)
<b>GW16</b>	6	1.0000 (25.400)		1.5625 (39.688)	2.2500 (57.150)	
<b>GW20</b>	6	1.2500 (31.750)		2.0000 (50.800)	0 -0.00075 (-19)	2.6250 (66.675)

			basic load rating		mass g
B	W	D <sub>1</sub>	dynamic C N	static C <sub>0</sub> N	
inch/(mm)	inch/(mm)	inch/(mm)			
.4329 (10.996)	.0390 (0.992)	.4687 (11.906)	206	265	5.4
.5577 (14.166)	.0390 (0.992)	.5880 (14.935)	225	314	7.8
.8710 (22.123)	.0459 (1.168)	.8209 (20.853)	510	784	26
.9920 (25.197)	.0559 (1.422)	1.0590 (26.899)	774	1,180	51
1.0538 (26.767)	.0559 (1.422)	1.1760 (29.870)	862	1,370	72
1.6187 (41.115)	.0679 (1.727)	1.4687 (37.306)	980	1,570	138
1.8687 (47.465)	.0679 (1.727)	1.8859 (47.904)	1,570	2,740	269

1N≒0.225lbf 1kg≒2.205lbs