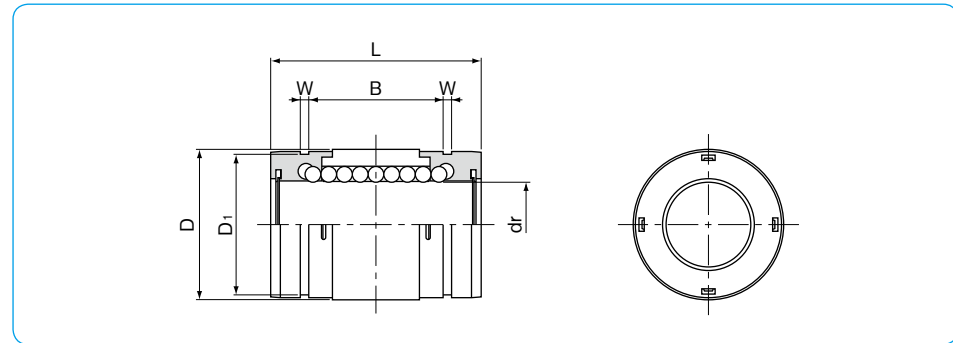
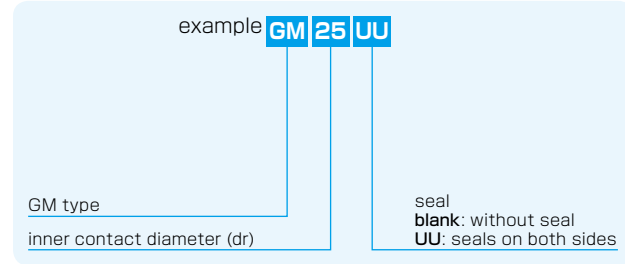


GM TYPE

– Single Type –



part number structure



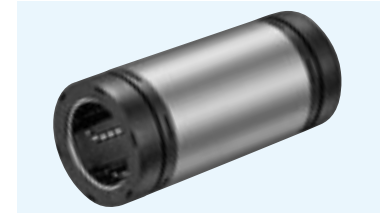
part number	number of ball circuits	dr mm	major dimensions						basic load rating dynamic C N	static Co N	mass g
			tolerance μm	D mm	L mm	B mm	W mm	D1 mm			
GM 6	4	6	0	12	19	11.3	1.1	11.5	206	265	5
GM 8	4	8	0	15	24	15.3	1.1	14.3	274	392	10
GM10	4	10	0	19	29	19.4	1.3	18	372	549	18
GM12	4	12	-9	21	30	20.4	1.3	20	510	784	23
GM13	4	13	-9	23	32	20.4	1.3	22	510	784	27
GM16	4	16	-9	28	37	23.3	1.6	27	774	1,180	45
GM20	6	20	0	32	42	27.3	1.6	30.5	882	1,370	70
GM25	6	25	0	40	59	37.3	1.85	38	980	1,570	150
GM30	6	30	-10	45	64	40.8	1.85	43	1,570	2,740	180

GM-AJ type (clearance adjustable type) is also manufactured. Please contact NB for details.

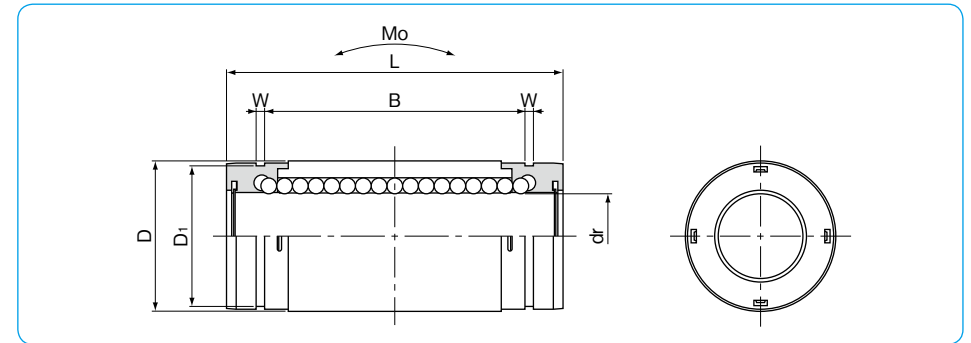
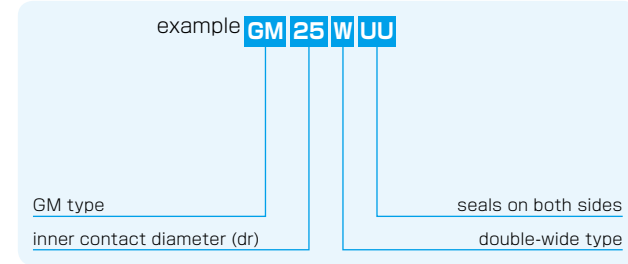
1N≒0.102kgf

GM-W TYPE

– Double-Wide Type –



part number structure



part number	number of ball circuits	dr mm	major dimensions						basic load rating dynamic C N	static Co N	allowable static moment Mo N·m	mass g
			tolerance μm	D mm	L mm	B mm	W mm	D1 mm				
GM 6W UU	4	6	0	12	28	20.3	1.1	11.5	323	530	1.5	9
GM 8W UU	4	8	0	15	36	27.3	1.1	14.3	431	784	3.3	18
GM10W UU	4	10	0	19	41	31.4	1.3	18	588	1,100	5.0	31
GM12W UU	4	12	-10	21	46	36.4	1.3	20	813	1,570	7.6	42
GM13W UU	4	13	-10	23	48	36.4	1.3	22	813	1,570	8.1	50
GM16W UU	4	16	-10	28	53	39.3	1.6	27	1,230	2,350	13.8	76
GM20W UU	6	20	0	32	65	50.3	1.6	30.5	1,400	2,740	20.0	130
GM25W UU	6	25	0	40	91	69.3	1.85	38	1,560	3,140	34.8	280
GM30W UU	6	30	-12	45	99	75.8	1.85	43	2,490	5,490	57.5	334

*UU type is standard.

1N≒0.102kgf 1N·m≒0.102kgf·m