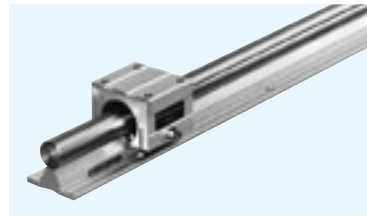
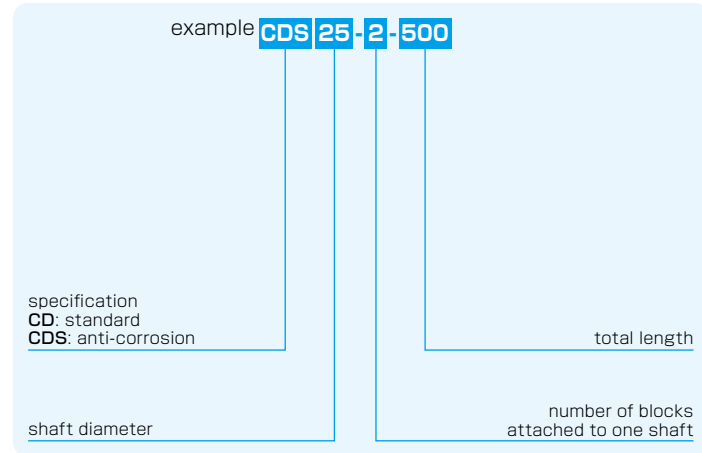


# CD TYPE

– Clearance Adjustable Type –

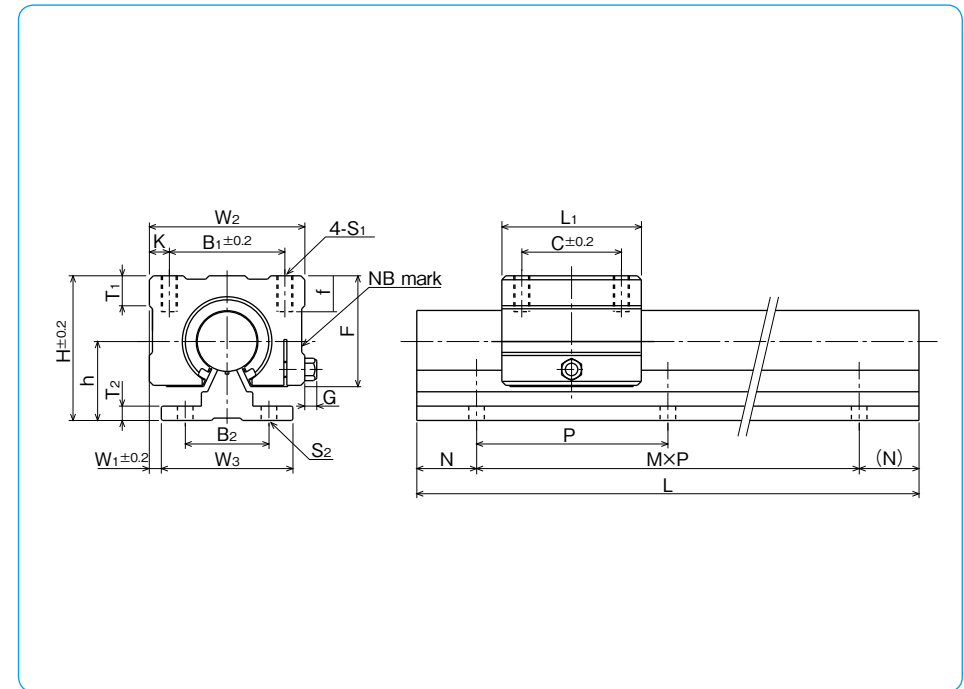


## part number structure



※Inside bush is a resin retainer type with seals.

part number		shaft diameter mm	assembly dimension	block dimension											major dimensions						
standard	anti-corrosion			tolerance g6 μm	H	h	W <sub>1</sub>	W <sub>2</sub>	F	L <sub>1</sub>	B <sub>1</sub>	C	K	T <sub>1</sub>	S <sub>1</sub>	f	G	W <sub>3</sub>	B <sub>2</sub>	T <sub>2</sub>	P
CD16	CDS16	16	-6 -17	45	25	5	50	33	45	36	30	7	9	M5	12	6	40	30	5	150	5.5
CD20	CDS20	20		50	27	4.5	54	39	50	40	35	7	11	M6	12	7	45	30	5	150	5.5
CD25	CDS25	25	-7 -20	60	33	10.5	76	47	65	54	40	11	12	M6	12	7	55	35	6	200	6.5
CD30	CDS30	30		70	37	9	78	56	70	58	50	10	15	M8	18	7	60	40	7	200	6.5



support rail dimensions L (M,N) mm				basic load rating dynamic C N	static Co N	block mass g	rail mass kg/m	size
300 (1,75)	500 (3,25)	800 (5,25)	1,000 (6,50)	774	1,180	170	2.58	<b>16</b>
300 (1,75)	500 (3,25)	800 (5,25)	1,000 (6,50)	882	1,370	240	3.49	<b>20</b>
300 (1,50)	500 (2,50)	800 (3,100)	1,000 (4,100)	980	1,570	580	5.31	<b>25</b>
300 (1,50)	500 (2,50)	800 (3,100)	1,000 (4,100)	1,570	2,740	720	7.39	<b>30</b>

1N≒0.102kgf