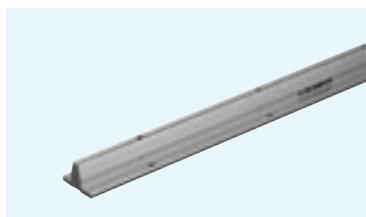
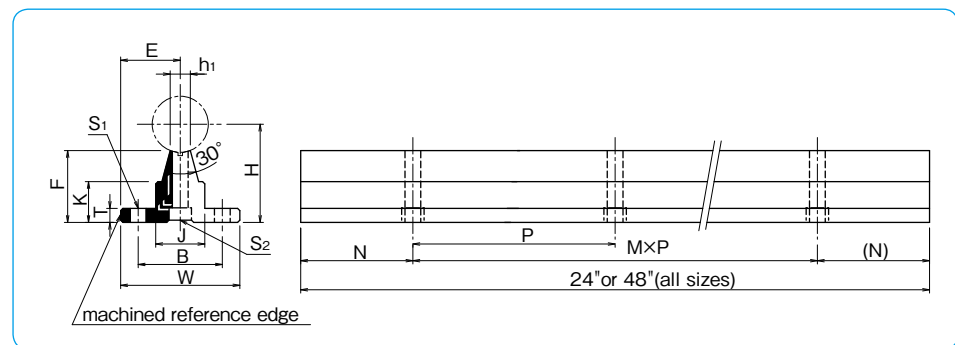
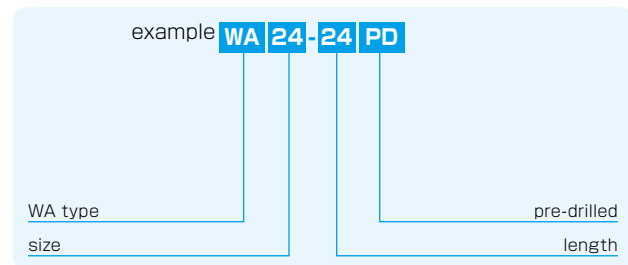


# WA TYPE

– Shaft Support Rail –  
(Inch Standard)



## part number structure



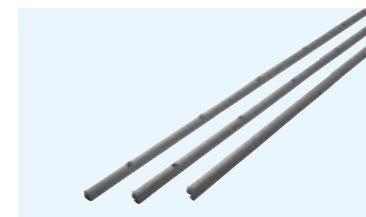
part number	shaft diameter inch	major dimensions								mounting dimensions				mass lbs				
		H ±.001 inch	E ±.005 inch	W inch	F inch	T inch	K inch	J inch	h <sub>1</sub> inch	B ±.01 inch	N inch	M×P inch	S <sub>1</sub> hole inch		S <sub>2</sub> hole inch			
WA 8-	24PD	.5000	1.125	.7500	1.500	.903	.188	.466	.500	.255	1.000	2	5×4	.169	#6	.169	#6	1.326
	48PD												11×4					2.652
WA10-	24PD	.6250	1.125	.8125	1.625	.841	.250	.423	.500	.276	1.125	2	5×4	.193	#8	.193	#8	1.488
	48PD												11×4					2.976
WA12-	24PD	.7500	1.500	.8750	1.750	1.158	.250	.592	.625	.322	1.250	3	3×6	.221	#10	.221	#10	2.100
	48PD												7×6					4.200
WA16-	24PD	1.0000	1.750	1.0625	2.125	1.280	.250	.727	.875	.359	1.500	3	3×6	.281	1/4	.281	1/4	2.776
	48PD												7×6					5.552
WA20-	24PD	1.2500	2.125	1.2500	2.500	1.537	.313	.799	1.100	.437	1.875	3	3×6	.343	5/16	.343	5/16	4.060
	48PD												7×6					8.120
WA24-	24PD	1.5000	2.500	1.5000	3.000	1.798	.375	.922	1.375	.558	2.250	4	2×8	.343	5/16	.406	3/8	5.840
	48PD												5×8					11.680
WA32-	24PD	2.0000	3.250	1.8750	3.750	2.322	.500	1.450	1.500	.800	2.750	4	2×8	.406	3/8	.531	1/2	9.500
	48PD												5×8					19.000

All sizes are also available without pre-drilled mounting holes.  
Complete shaft-rail assemblies are also available as well as custom drilling and lengths.  
Please send drawings with customer specifications.  
Product of NB Corporation of America

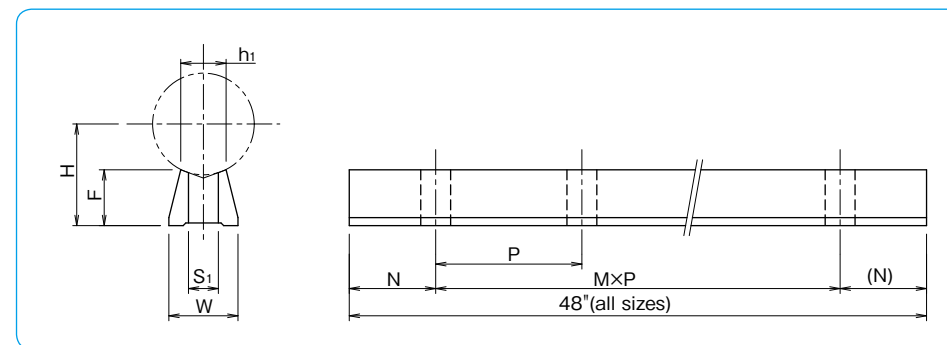
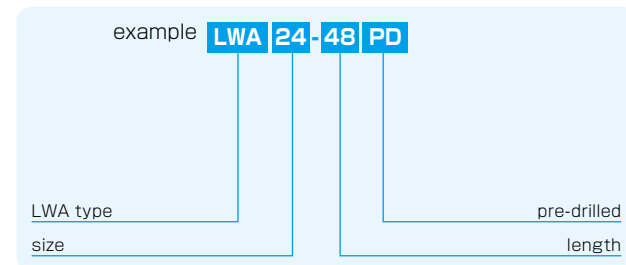
1kg≐2.205lbs  
1lb≐0.454kg

# LWA TYPE

– Low Shaft Support Rail –  
(Inch Standard)



## part number structure



part number	shaft diameter inch	major dimensions			major dimensions			S <sub>1</sub> inch	mass lb
		H ±.002 inch	W inch	F inch	N inch	M×P inch	h <sub>1</sub> inch		
LWA 8-48 PD	.5000	.5625	.37	.342	2	11×4	0.25	.169	0.11
LWA 10-48 PD	.6250	.6875	.45	.405	2	11×4	0.276	.193	0.17
LWA 12-48 PD	.7500	.7500	.51	.409	3	7×6	0.317	.220	0.20
LWA 16-48 PD	1.0000	1.0000	.69	.545	3	7×6	0.422	.283	0.35
LWA 20-48 PD	1.2500	1.1875	.78	.617	3	7×6	0.520	.343	0.44
LWA 24-48 PD	1.5000	1.3750	.93	.691	4	5×8	0.630	.406	0.58
LWA 32-48 PD	2.0000	1.7500	1.18	.836	4	5×8	0.824	.531	0.89

Product of NB Corporation of America

1kg≐2.205lbs  
1lb≐0.454kg