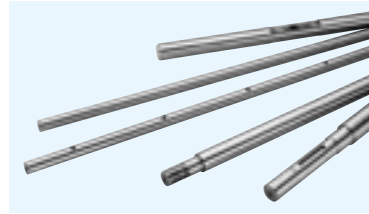
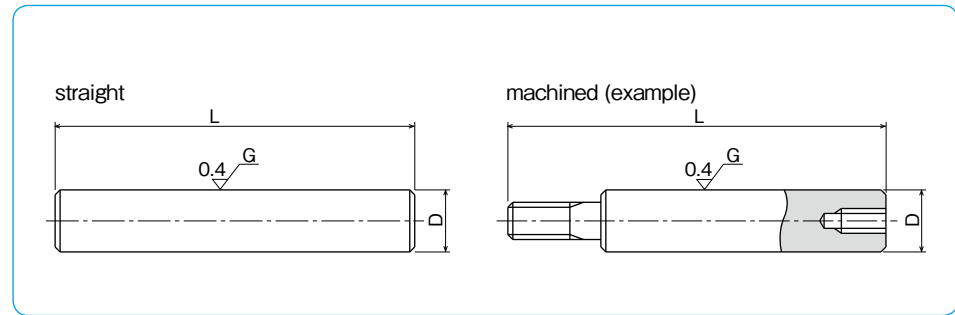
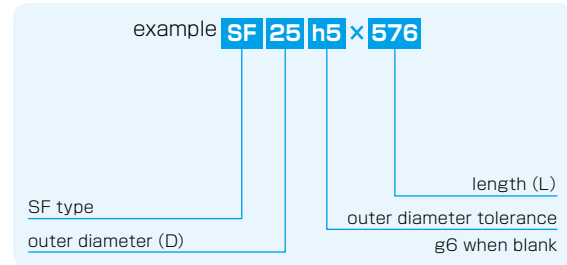


SF TYPE

– NBCA Shaft –



part number structure

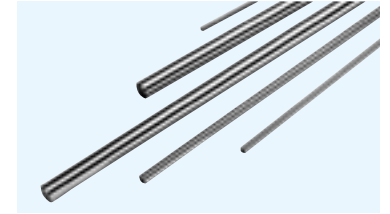


part number	outer diameter D mm	outer diameter tolerance g6 μm	length L mm	mass Kg/m
SF 6	6	-4/-12	100 ← → 3000	0.23
SF 8	8	- 5	100 ← → 3000	0.40
SF 10	10	-14	100 ← → 3000	0.62
SF 12	12		100 ← → 3000	0.89
SF 13	13	- 6	100 ← → 3000	1.04
SF 15	15	-17	100 ← → 3000	1.39
SF 16	16		100 ← → 3000	1.58
SF 20	20	- 7	100 ← → 3000	2.47
SF 25	25	-20	100 ← → 3000	3.85
SF 30	30		100 ← → 3000	5.55
SF 35	35	- 9	100 ← → 3000	7.55
SF 40	40	-25	100 ← → 3000	9.87
SF 50	50		100 ← → 3000	15.4

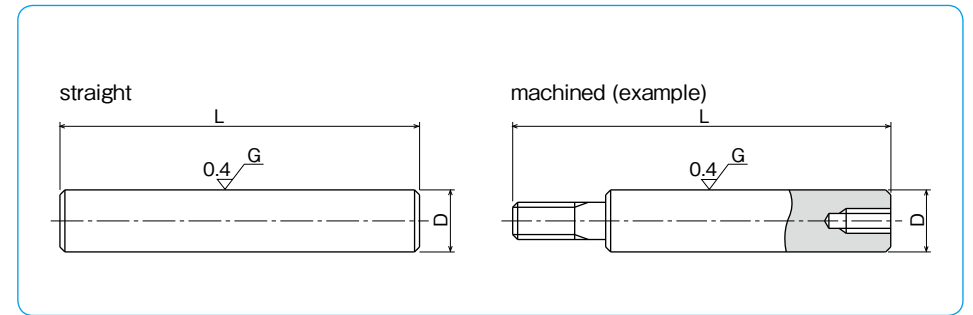
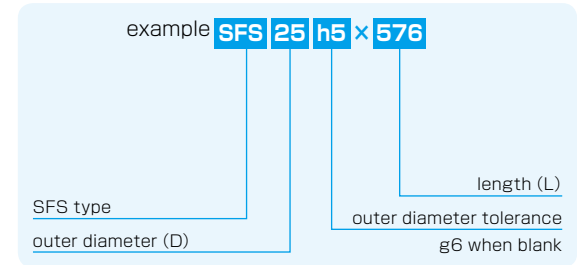
material: Equivalent to SUJ2 hardness: 60HRC (HV697) or more
Tolerances other than g6 are available upon request.
Product of NB Corporation of America

SFS TYPE

– NBCA Stainless Steel Shaft –



part number structure



part number	outer diameter D mm	outer diameter tolerance g6 μm	length L mm	mass Kg/m
SFS 6	6	-4/-12	100 ← → 3000	0.22
SFS 8	8	- 5	100 ← → 3000	0.39
SFS 10	10	-14	100 ← → 3000	0.61
SFS 12	12		100 ← → 3000	0.88
SFS 13	13	- 6	100 ← → 3000	1.03
SFS 16	16	-17	100 ← → 3000	1.56
SFS 20	20	- 7	100 ← → 3000	2.43
SFS 25	25	-20	100 ← → 3000	3.80
SFS 30	30		100 ← → 3000	5.48
SFS 35	35	- 9	100 ← → 3000	7.46
SFS 40	40	-25	100 ← → 3000	9.75
SFS 50	50		100 ← → 3000	15.2

material: Equivalent to SUS440C
hardness: 52HRC (HV544) or more
Tolerances other than g6 are available upon request.
Product of NB Corporation of America