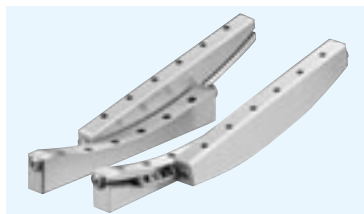


RVF TYPE

— Gonio Way flat-installation-surface —



part number structure

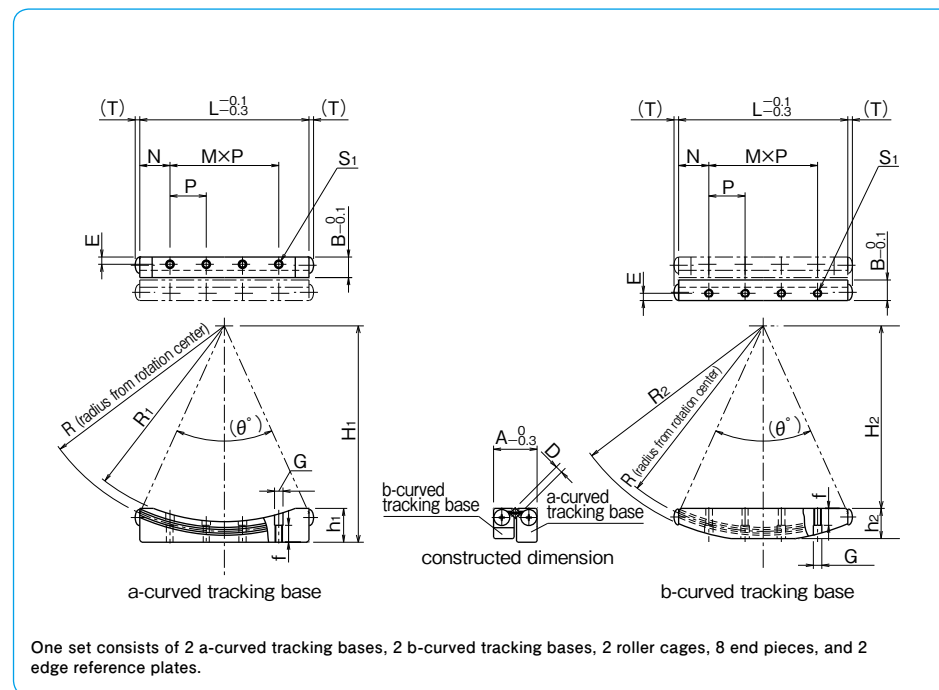
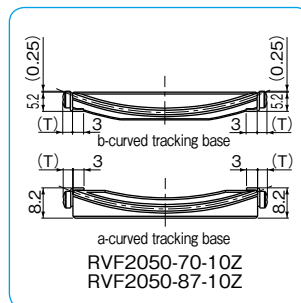
example **RVF 3 100-125-16Z**

RVF type

size

rail length

radius from rotation center



part number	rotation range	roller diameter D mm	number of rollers Z	major dimensions									
				L mm	R mm	R ₁ mm	R ₂ mm	H ₁ mm	H ₂ mm	h ₁ mm	h ₂ mm	A mm	B mm
RVF2050- 70-10Z	± 5°	2	10	50	70	67	73	72.5	64.5	7.5	7.5	15	7.25
RVF2050- 87-10Z			87		84	89.5	89.5	81.5	7.5	7.5			
RVF2050-103-10Z			103		100	106	105.5	97.5	7.5	8			
RVF2050-120- 9Z			120		117	123	122.5	114.5	7.5	8			
RVF3070- 85-10Z	± 10°	3	10	70	85	81	89	89.5	75.5	14	12.5	18	8.5
RVF3070-110-10Z			110		106	114	114.5	100.5	12.8	12.5			
RVF3100-125-16Z			125		121	129	129.5	110.5	17.5	18			
RVF3100-160-14Z			160		156	164	164.5	145.5	15	18			

※ Please refer to page G-68 for information on cage dimensions.

M×P mm	N mm	E mm	S ₁	f mm	G mm	T mm	θ°	basic load rating		allowable load F N	mass (one set) g	part number
								dynamic C N	static Co N			
3×12.5	6.25	2.5	M2.5	4	3	2.7	41.8°	1,180	2,400	800	66	RVF2050- 70-10Z
							33.4°	1,060	2,430	810	70	RVF2050- 87-10Z
3×13	5.5	2.5	M2.5	4	3	1.5	28.1°	998	2,440	815	70	RVF2050-103-10Z
							24.0°	751	1,970	657	70	RVF2050-120- 9Z
3×15	12.5	3	M3	7	3.5	1.9	48.6°	2,680	5,530	1,840	182	RVF3070- 85-10Z
							37.1°	2,440	5,620	1,870	182	RVF3070-110-10Z
5×15	12.5	3	M3	7	3.5	1.9	47.2°	3,520	8,850	2,950	327	RVF3100-125-16Z
							36.4°	2,860	7,890	2,630	323	RVF3100-160-14Z

1N≒0.102kgf