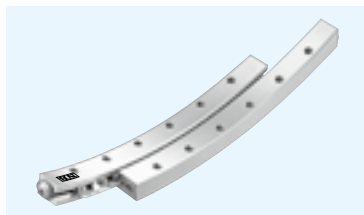
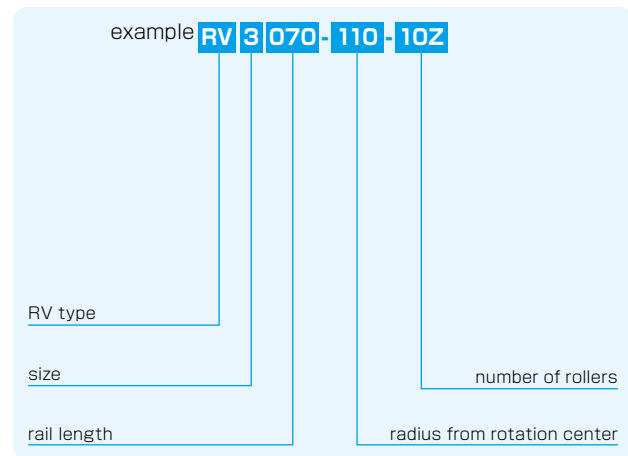


# RV TYPE

— Gonio Way —

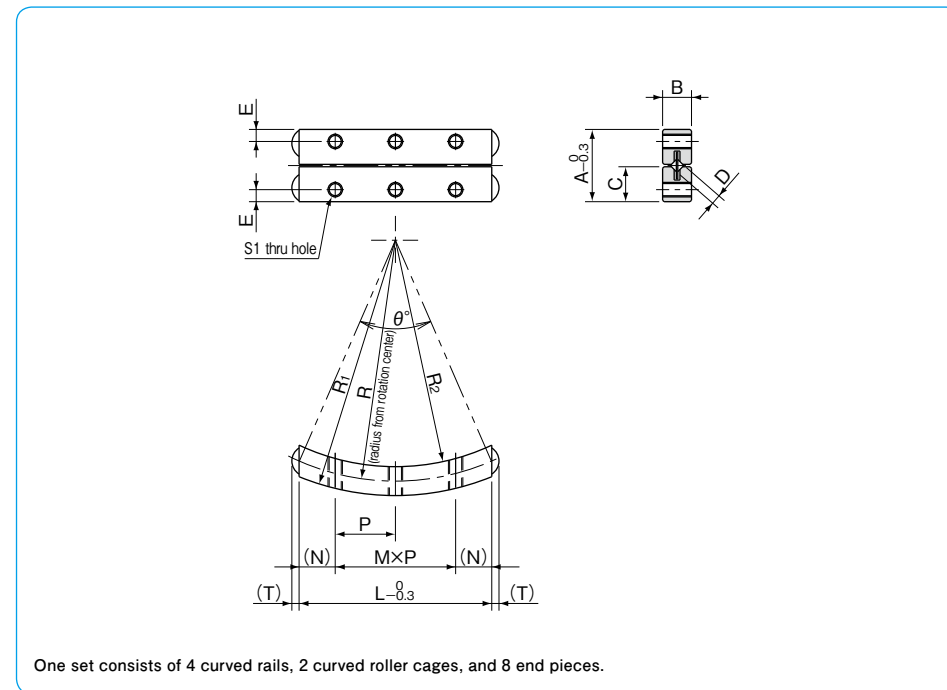


## part number structure



part number	rotation range	roller diameter D mm	number of rollers Z	major dimensions						
				L mm	R mm	R <sub>1</sub> mm	R <sub>2</sub> mm	A mm	B mm	C mm
RV2040- 50- 7Z	±10°	2	7	40	50	53	47	15	6	7.25
RV2060- 60-12Z			12	60	60	63	57			
RV3070- 90-11Z	±10°	3	11	70	90	94	86	18	8	8.5
RV3070-110-10Z			10	70	110	114	106			
RV3100-160-14Z			14	100	160	164	156			

※ Please refer to page G-68 for information on cage dimensions.



M×P mm	N mm	E mm	S <sub>1</sub>	T mm	θ°	basic load rating		allowable load F N	mass (one set) g	part number
						dynamic C N	static Co N			
2×12.5	7.5	2.5	M3	1.5	47.2°	820	1,440	482	49	RV2040- 50- 7Z
3×12.5	11.25				60.0°	1,490	2,800	936	75	RV2060- 60-12Z
3×15	12.5	3	M3	1.9	45.8°	2,640	5,550	1,850	137	RV3070- 90-11Z
3×15					37.1°	2,440	5,620	1,870	135	RV3070-110-10Z
5×15					36.4°	2,860	7,890	2,630	193	RV3100-160-14Z

1N≒0.102kgf